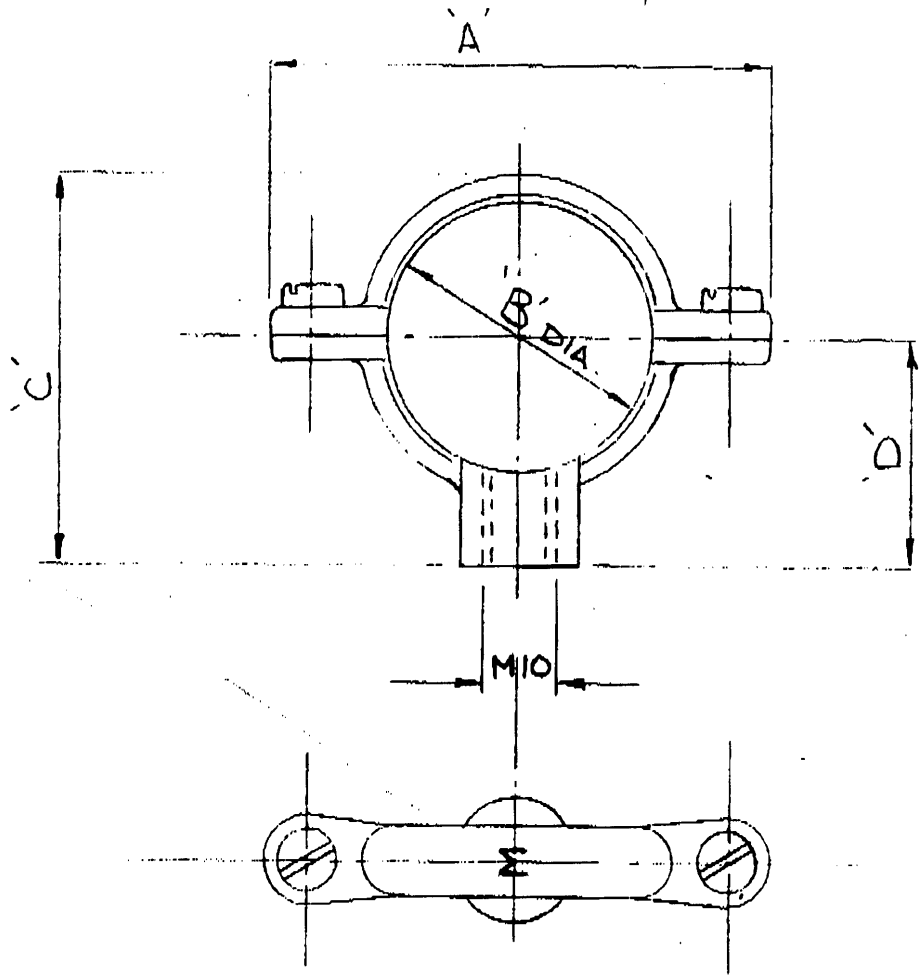


712 5835



SIZE	A	B	C	D
12	40	12	26	16
15	42	15	29	18
22	49	22	35	21
28	57	28	46	28
35	69	35	53	31
42	74	42	59	34
54	91	54	75	44
67	106	67	91	51
76.1	126	76.1	101	58
108	159	108	131	71

THREAD
 M5
 M5
 M5
 M5
 M5
 M5
 M6
 M6
 M6
 M6

DIMENSIONAL DRAWINGS SUPPLIED ON REQUEST ARE INTENDED FOR GENERAL INFORMATION ONLY. FITTINGS AS SUPPLIED WILL CONFORM TO SPECIFICATIONS AND BRITISH STANDARDS AT ALL ESSENTIAL POINTS BUT MAY DIFFER IN SOME NON-CRITICAL PARTICULARS FROM THE QUOTED DIMENSIONS. WHERE A DIMENSION IS CONSIDERED OF SPECIAL IMPORTANCE IT IS RECOMMENDED THIS BE CONFIRMED.

COPYRIGHT IN THIS DRAWING RESIDES WITH 'YORKSHIRE' IMPERIAL METALS LIMITED
 © DATE 16/ 3 / 1989

DRAWN	MODS							FITTING
								No. 107 M.

YORKSHIRE IMPERIAL METALS LTD LEEDS
 FITTINGS FACTORY. a subsidiary company of Imperial Metal Industries Limited